

Features

- Pulse energy ranges from 100mJ to 300mJ @1064nm
- Multiple harmonics optional
- Modular design and suitable for mass production
- Engineering design to ensure long term stability
- Customization available

Compact Nd:YAG Q-switched lasers

Dawa series lasers were developed in 2007. It was designed as a industrial level laser that fits OEM system integration. The energy level is relatively low, from 100-300 mJ. The SHG, THG and FHG are available.

The scientific and industrial design ensure the good beam quality. Features as optical shutter, flow senser, power supply interlock make sure the safety use as the top priority. Dawa series lasers passed CE certification in 2014.

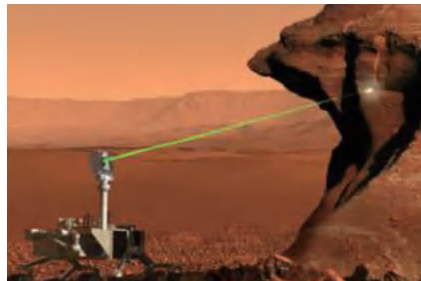
Dawa series lasers are suitable for many applications, including LIBS, LIDAR, LIF and PIV, etc. During the past few years, hundreds of Dawa series lasers have been delivered and earned great reputation.

Applications

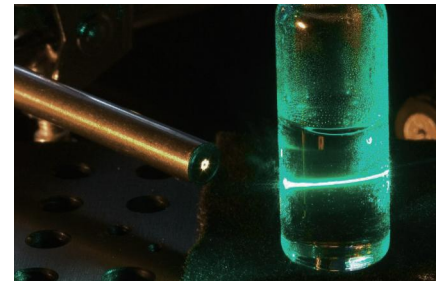
- Laser Induced Breakdown Spectroscopy(LIBS)
- LIDAR
- Laser Induced Florescence(LIF)
- Laser Cleaning
- Laser Cavitation
- LCD Repair
- Nonlinear Optics



LIDAR



LIBS



LIF

All images from customers and website



Beamtech Optronics Co.,Ltd.
Http://www.beamtech-laser.com
Head Office
15566 Buena Vista Ave,White Rock,BC V 4B 1Z2,Canada
phone:604-960-1429
Email:beamtech@shaw.ca

Manufacture&Technology Center
4F, Science and Technology Bldg.,
No.10 Hongfu Industrial Park, Beiqijia Town,
Changping District, Beijing, China. 102209
Tel: 010-84945016/17/18/19
Fax: 010-84945020



Specifications

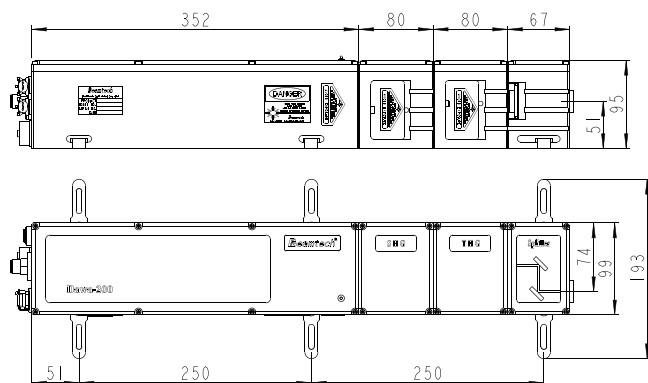
Models ¹	Dawa-100	Dawa-200	Dawa-300	
Repetition Rate	1-20Hz	1-20Hz	1-10Hz	
Pulse Energy:	1064nm	100mJ	300mJ	
	532nm	50mJ	150mJ	
	355nm	20mJ	40mJ	
	266nm	10mJ	20mJ	
Energy Stability ²	1064nm	≤0.7%	≤0.7%	
	532nm	≤1.3%	≤1.3%	
	355nm	≤2.6%	≤2.6%	
	266nm	≤2.6%	≤2.6%	
Pulse Width ³	1064nm	≤9ns	≤7ns	
	532nm	≤8ns	≤6ns	
	355nm	≤7ns	≤5ns	
	266nm	≤7ns	≤5ns	
Divergence ⁴	1064nm	Multi-mode: ≤3mrad; Flat-top mode: ≤1mrad		
Pointing Stability	1064nm	≤50μrad		
Jitter ⁵ (RMS)		≤0.5ns		
Beam Diameter ⁶	1064nm	5mm	6mm	7mm
Spatial Mode Profile	Near Field	>70%		
	Far Field	>95%		
Cooling		Air to water		
Electrical Service		110/220V-50/60Hz		
Power Consump-		500W		
Cable Length	Control Line	3m		
	Power Line	1.8m		
	Umbilical Line	3m		

1. All specifications, unless otherwise stated, are for Q-Switched 1064nm operation and are subject to change without notice.

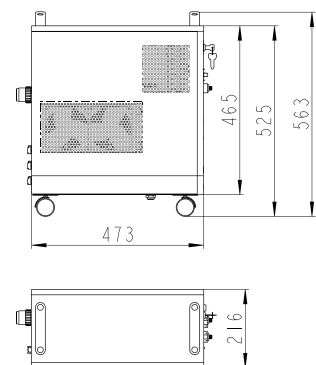
2. Dev. to average (shot to shot for 99% of pulses).
3. Full width half max (FWHM).
4. Full angle at 1/e² of the peak.

5. With respect to external trigger.
6. Measured at the laser output.

Dimensions



Dawa-100/200/300



Power Supply & Cooling System