



Features

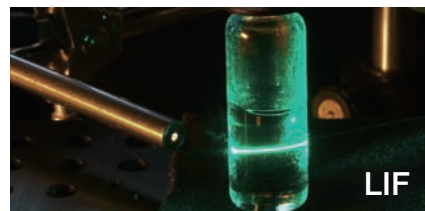
- Long diode lifetime up to 1 billion shots
- Pure air cooling with easy maintenance
- EO Q-switch with accurate timing
- Pulse energy up to 80mJ@20Hz@1064nm
- Multiple harmonics optional
- Compact size with easy integration
- Suitable for 24/7 operation

Applications

- Laser Induced Breakdown Spectroscopy(LIBS)
- LIDAR
- Laser Induced Florescence(LIF)
- Laser Cleaning
- Spectrometry Analysis
- LCD Repair
- Optic Damage Testing

DPSS air cooling EO-Q switched laser

Lapa series laser is the new generation DPSS air-cooling Q-switched product. By applying multiple innovative technologies including uniform pumping and conduction cooling, Lapa series becomes the real portable nanosecond laser light source and suitable for 24/7 continuous operation, which provides new solutions for the scientific, industrial and military application fields.



All images from Website



Beamtech Optronics Co.,Ltd.

[Http://www.beamtech-laser.com](http://www.beamtech-laser.com)

Head Office

15566 Buena Vista Ave, White Rock, BC V 4B 1Z2, Canada

phone:604-960-1429

Email:beamtech@shaw.ca

Manufacture&Technology Center

4F, Science and Technology Bldg.,

No.10 Hongfu Industrial Park, Beiqijia Town,

Changping District, Beijing, China. 102209

Tel: 010-84945016/17/18/19

Fax: 010-84945020



Specifications

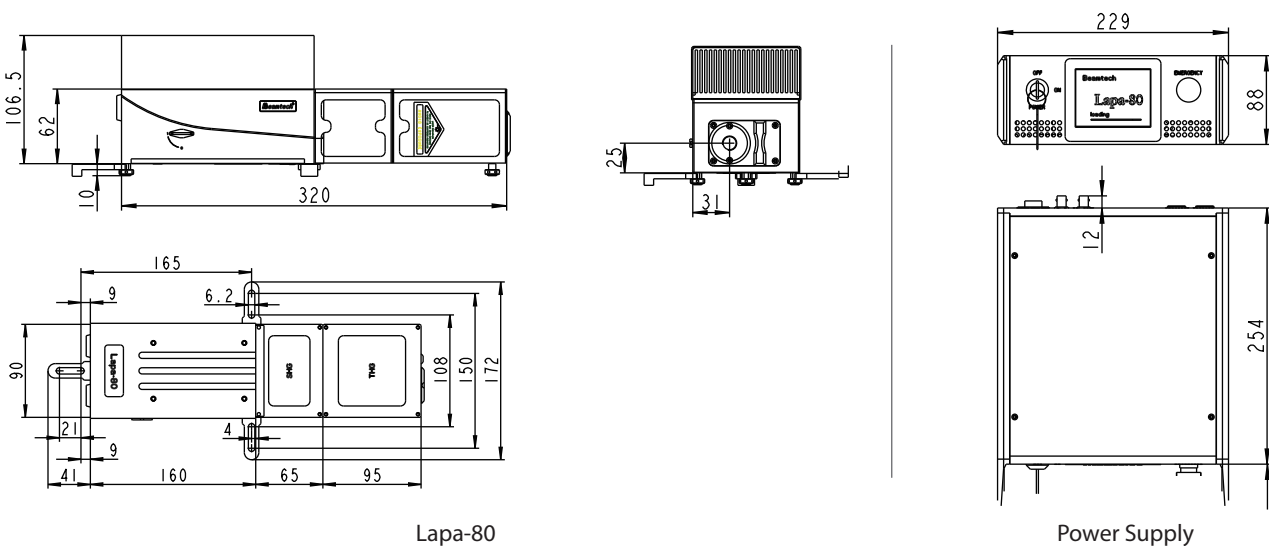
Models ¹	Lapa-20	Lapa-80
Repetition Rate	1-100Hz	1-20Hz
Pulse Energy:		
1064nm	20mJ	80mJ
532nm	12mJ	50mJ
355nm	4mJ	25mJ
266nm	2mJ	10mJ
Energy Stability ² (RMS)		
1064nm	≤1%	≤0.5%
532nm	≤2%	≤1%
355nm	≤4%	≤2%
266nm	≤4%	≤3%
Pulse Width ³	≤10ns	≤8ns
Divergence ⁴	~2mrad	≤1mrad
Pointing Stability	≤50μrad	≤10μrad
Beam Diameter ⁵	3mm	4.5mm
Polarization(1064nm)	Linear(Horizontal)	Linear(Horizontal)
Jitter ⁶ (RMS)	≤0.5ns	
Cooling	Air	
Power dissipation	220W	
Electrical Service	100-240V-50/60Hz-10A, or DC 24V-9.2A	

1. All specifications, unless otherwise stated, are for Q-switched 1064nm operation and are subject to change without notice;

2. Dev.to average (shot to shot for 99% of pulses). Data is measured at room temperature 15-30 C. For 532nm & 266nm output, the crystal of SHG is KTP with Energy Stability ≤ 1% at 532nm; For 355nm output, the crystal of SHG is LBO with Energy Stability ≤ 1.5% at 532nm.

3. Full width half max (FWHM);
4. Full angle measured at 1/e² of the peak;
5. Measured at the laser output;
6. With respect to external trigger;

Dimensions



Lapa-80

Power Supply